



ideal Lighting Systems Pvt. Ltd.



PRODUCT SPECIFICATIONS

PRODUCT NAME	LED Weather Proof Bay Light - Standard	Doc No. - ILS/WP/SPC-97/00
PRODUCT CODE	WPHBSTD-160-XX-YY	Date : 01.04.2016

Characteristics	Std. Value	
LUMINARIES	Luminaries wattage	160 Watt
	Input Voltage	230 V
	Input Frequency	50 Hz
	Input Current	0.9A
	Power Factor	> 0.95
	Athd.	CLASS C
	Efficiency	91%
	Light Spreading Angle	60° / 90° / 120°
	Temperature Class	T6
	IP Standard	IP65
	Total Weight	9.5 Kg
	Starting Time	Rapid (0.2 Sec)
Guarantee	5 Years including FLUX/CCT/CRI	

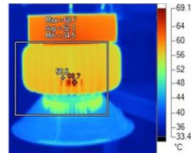
LED LAMP MAKE – CITIZEN JAPAN	Model No	CLU048 - 1818		
	LED type / No of LED Lamp	COB/ Single Lamp		
	Total Lumen @Tc 25°C	20868	21882	21028
	Lumen Efficacy (Lm/ Watt)	143 lm/W	150 lm/W	144 lm/W
	CCT / Color Rendering index	3000K / RA 70	5000K / RA 70	6500K / RA 80
	SP Ratio	2-2.25		
	MacAdam Ellipse Stage	STEP 3		
	LED -Wattage/Current/Voltage	146W / 2590ma/ 56.4 V @Tc 25°C		
	Lamp Life	1,00,000 Hours Min.		
	Certifications / Reports	LM70, LM80/Photo Bio. Test / Vibration Test		
Identification Feature	Unique Serial No. Printed on each Lamp			
Actual Test Report of CITIZEN LED Lamp	Actual Operating test Report for 63,000Hrs			

LED DRIVER MAKE - MEANWELL	Model	ELG-150-54		
	Type of Driver	Constant Current (CC)		
	Input Voltage Range	180 ~ 295V AC		
	Frequency Range	47 ~ 63Hz		
	Inrush current	COLD START 65A		
	Leakage current	< 0.75 mA / 277V AC		
	Output Protection	Short Circuit, Over Voltage, Over Current, Over Temperature.		
	Withstand Voltage	I/P-0/P:3.75K VAC Min.		
	Surge Protection	L-N :4KV, L-N-PE:6KV		
	MTBF /DMTBF	313.66K HRS min / 50,000 HRS @ TCASE 75°C		
Capacitor Life Cycle	48117 HRS @ 60°C			

OPTICS	Optics Type	Glass Lens / Diffuser		
	MOC of Optics	Borosilicate Glass		

FIXTURE \ HEAT SINK	Make of Fixture	ILS Pvt.Ltd.		
	Heat Sink Make	ILS (Own Design)		
	MOC – Heat Sink	Aluminum Extrusion - LM 06		
	Junction Temperature -T _J	99°C		
	Case Temperature- T _C	75°C		

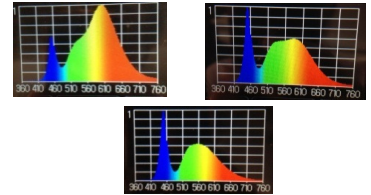
Product Photograph & Thermal Image



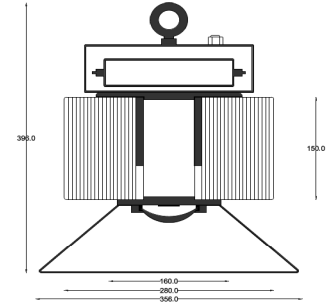
Reference Documents

1. Power Analyser Report With Harmonics
2. Electrical Efficiency Reprot
3. Spectroradiometric Test Report
4. TRT Report
5. LM 79 Report
6. IP 65 Test Report
7. LM 70, LM 80 Report

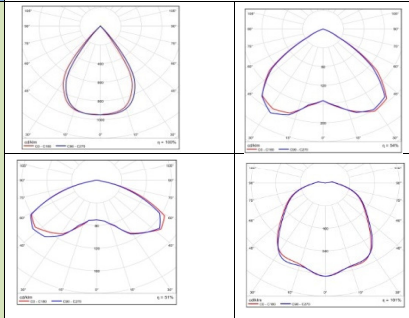
LED Spectrum



Schematic Drawing



Light Distribution Diagram



Actual Test result

SERIAL NO.	ILS-60202581					
Mfg Date	16-01-2016.3:19:06 PM					
LED SR. No.	F14530518898					
DRIVER SR. NO.	HB42A79135					
Input	V	A	Hz	W	VA	PF
	241.02	0.689	50	161.08	166.06	0.97
Output	DC.V	DC.A	DC.W	EFF	THD	
	56.80	2.589	147.05	91.29	C class	

ILS SPECIALITY : This Fixture is having Lowest Thermal Resistance and single optics. ILS products are having Precise Thermal Management for longer life and Precise light spreading angle for required illumination.

Prepared By	Reviewed By	Approved By