



# ideal Lighting Systems Pvt. Ltd.



## PRODUCT SPECIFICATIONS

PRODUCT NAME	LED Weather Proof Bay Light - Economical	Doc No. - ILS/WP/SPC-86/00
PRODUCT CODE	WPMBECO-45-XX-YY	Date : 01.04.2016

### Characteristics

Characteristics	Std. Value
Luminaries wattage	45 Watt
Input Voltage	230 V
Input Frequency	50 Hz
Input Current	0.6 A
Power Factor	> 0.90
Athd.	CLASS C
Efficiency	87%
Light Spreading Angle	60° / 90° / 120°
Temperature Class	T6
IP Standard	IP65
Total Weight	2.99 Kg
Starting Time	Rapid ( 0.2 Sec)
Guarantee	3 Years including FLUX/CCT/CRI

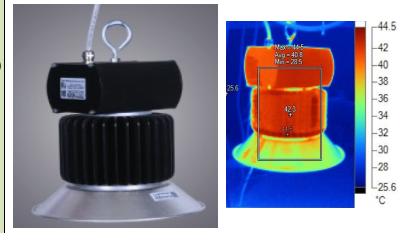
LED LAMP	MAKE - CITIZEN JAPAN
Model No	CLU048 - 1212
LED type / No of LED Lamp	COB/ Single Lamp
Total Lumen @Tc 25°C	6640      6961      6689
Lumen Efficacy (lm/ Watt)	166 lm/W      174 lm/W      167 lm/W
CCT / Color Rendering index	3000K / RA 70      5000K / RA 70      6500K / RA 80
SP Ratio	2-2.25
MacAdam Ellipse Stage	STEP 3
LED -Wattage/Current/Voltage	40W / 1115ma/ 35.9 V @Tc 25°C
Lamp Life	1,00,000 Hours Min.
Certifications / Reports	LM70, LM80/Photo Bio. Test / Vibration Test
Identification Feature	Unique Serial No. Printed on each Lamp
Actual Test Report of CITIZEN LED Lamp	Actual Operating test Report for 63,000Hrs

LED DRIVER MAKE - MEANWELL	
Model No	PLD-60-1050B
Type of Driver	Constant Current (CC)
Input Voltage Range	180VAC ~ 295 VAC
Frequency Range	47 ~ 63Hz
Inrush current	COLD START 25A
Leakage current	< 0.5 mA / 240VAC
Output Protection	Short Circuit, Over Temperature
Withstand Voltage	I/P-O/P:3.75K VAC Min.
Surge Protection	L-N :2KV
MTBF /DMTBF	458.85K HRS Min / 50,000 HRS @ TCASE 65°C
Capacitor Life Cycle	42086.1 HRS @ 50°C

OPTICS	
Optics Type	Glass Lens / Diffuser
MOC of Optics	Borosilicate Glass

FIXTURE \ HEAT SINK	
Make of Fixture	ILS Pvt. Ltd.
Heat Sink Make	ILS (Own Design)
MOC - Heat Sink	Aluminum Extrusion - LM 06
Junction Temperature -T <sub>J</sub>	68°C
Case Temperature- T <sub>C</sub>	55°C

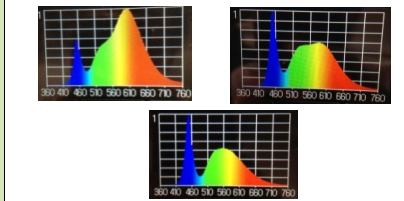
Product Photograph & Thermal Image



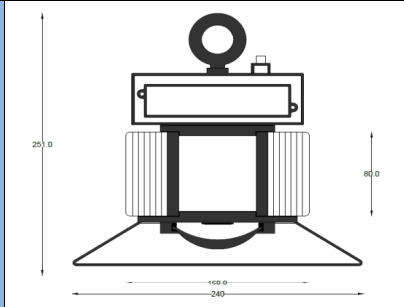
Reference Documents

1. Power Analyser Report With Harmonics
2. Electrical Efficiency Reprot
3. Spectroradiometric Test Report
4. TRT Report
5. LM 79 Report
6. IP 65 Test Report
7. LM 70, LM 80 Report

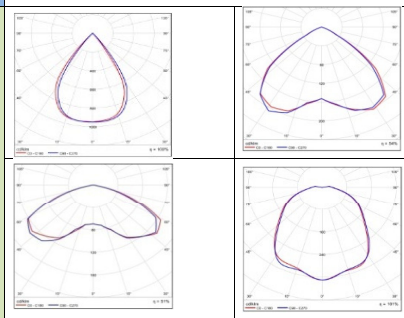
LED Spectrum



Schematic Drawing



Light Distribution Diagram



Actual Test result

SERIAL NO.	ILS-4020145					
Mfg Date	11-01-2016.1:48:48 PM					
LED SR. No.	F14530518921					
DRIVER SR. NO.	HB42A79188					
Input	V	A	HZ	W	VA	PF
	241.66	0.210	50	46.18	50.75	0.91
Output	DC.V	DC.A	DC.W	EFF	THD	
	36.15	1.103	39.87	86.33	C class	

**ILS SPECIALITY : This Fixture is having Lowest Thermal Resistance and single optics. ILS products are having Precise Thermal Management for longer life and Precise light spreading angle for required illumination.**

Prepared By	Reviewed By	Approved By