



# ideal Lighting Systems Pvt. Ltd.



## PRODUCT SPECIFICATIONS

PRODUCT NAME	LED Flame Proof Bulk Head	Doc No. - ILS/FP/SPC-12/00
PRODUCT CODE	FLPBHSQ-15-XX-YY	Date : 01.04.2016

Characteristics	Std. Value
Luminaries wattage	15 Watt
Input Voltage	230 V
Input Frequency	50 Hz
Input Current	0.3 A
Power Factor	NA
Athd.	CLASS A
Electrical Efficiency	84%
Light Spreading Angle	120°
Temperature Class	T6
IP Standard	IP66
Total Weight	6 Kg
Starting Time	Rapid ( 0.2 Sec)
Guarantee	2 Years including FLUX/CCT/CRI

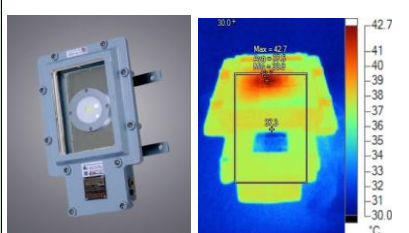
LED LAMP MAKE - CITIZEN JAPAN	LED Spectrum		
Model No	CLU038 - 1205		
LED type / No of LED Lamp	COB/ Single Lamp		
Total Lumen @Tc 25°C	2243	2352	2261
Lumen Efficacy (Lm/ Watt)	172 lm/W	181 lm/W	174 lm/W
CCT / Color Rendering index	3000K / RA 70	5000K / RA 70	6500K / RA 80
SP Ratio	2-2.25		
MacAdam Ellipse Stage	STEP 3		
LED - Wattage/Current/Voltage	13W / 370ma/ 35.2V @Tc 25°C		
Lamp Life	1,00,000 Hours Min.		
Certifications / Reports	LM70, LM80/Photo Bio. Test / Vibration Test		
Identification Feature	Unique Serial No. Printed on each Lamp		
Actual Test Report of CITIZEN LED Lamp	Actual Operating test Report for 63,000Hrs		

LED DRIVER MAKE - MEANWELL	Schematic Drawing		
Model No	APC-16-350		
Type of Driver	Constant Current (CC)		
Input Voltage Range	90 ~ 264V AC		
Frequency Range	47 ~ 63Hz		
Inrush current	COLD START 45A		
Leakage current	< 0.25 mA / 240VAC		
Output Protection	Over Voltage		
Withstand Voltage	I/P-0/P:3.75K VAC		
Surge Protection	L-N :2KV		
MTBF /DMTBF	1145.7K HRS Min / 50,000 HRS @ TCASE 55°C		
Capacitor Life Cycle	53375 HRS @ 40°C		

OPTICS	Light Distribution Diagram		
Optics Type	Glass Diffuser		
MOC of Optics	Borosilicate Diffused Glass		
Secondary Optics	Toughned Glass		

FIXTURE \ HEAT SINK	Actual Test Report		
Make of Fixture	Sudhir		
Certification	CMRI Certified including LED Lamp		
Heat Sink Make	ILS (Own Design)		
MOC – Heat Sink	Aluminum Extrusion - LM 06		
Junction Temperature -T <sub>j</sub>	64°C		
Case Temperature- T <sub>c</sub>	55°C		

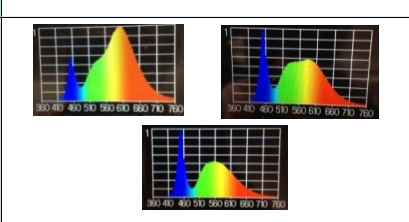
Product Photograph & Thermal Image



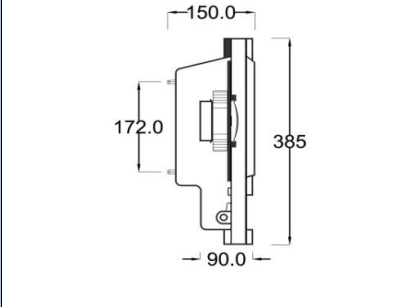
Reference Documents

1. Power Analyser Report With Harmonics
2. Electrical Efficiency Reprout
3. Spectroradiometric Test Report
4. TRT Report
5. LM 79 Report
6. IP 66 Test Report
7. LM 70, LM 80 Report

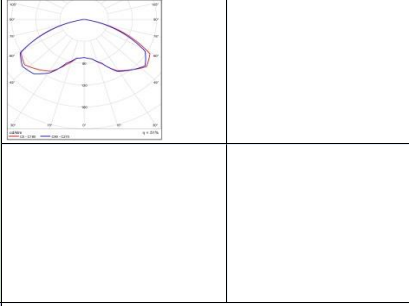
LED Spectrum



Schematic Drawing



Light Distribution Diagram



Actual Test Report

SERIAL NO.	ILS-4020143					
Mfg Date	11-01-2016,1:48:25 PM					
LED SR. No.	F14530518911					
DRIVER SR. NO.	HB42A79110					
Input	V	A	Hz	W	VA	PF
	240.30	0.154	50	15.17	37.01	0.41
Output	DC.V	DCA	DC.W	EFF	THD	
	37.20	0.348	12.95	85.35	A class	

**ILS SPECIALITY :** This Fixture is providing required spreaded illumination level without Glare through diffused light. ILS products are having Precise Thermal management for longer life and Precise light spreading angle for required illumination.

Prepared By	Reviewed By	Approved By